

# OPLS™

by WASH

ON-PREMISE LAUNDRY SOLUTIONS

## Softmount Washer-Extractor

### PYT100

100 lb (45 kg)



### FEATURES

- Freestanding, high speed spin up to 360G
- Patented Cascade Drum™
- Stainless steel drum and tub
- 2x large drain valves
- Easy Soap™ - liquid soaps connection
- Large door opening for easy loading/unloading
- Ergonomic height of door enables easy access
- User Friendly control position regardless of the user's height
- Soap hopper

### XCONTROL FLEX PLATFORM

- 7" Touch intuitive programming and usage
- Available in 34 languages
- Fully programmable
- 20 preset programs, up to 99 in memory



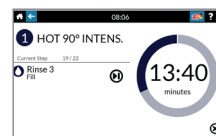
ERGONOMIC  
CONSTRUCTION



TOUCH SCREEN  
CONTROLS



LOW WATER  
AND ENERGY  
CONSUMPTION



**WASH**  
COMMERCIAL LAUNDRY

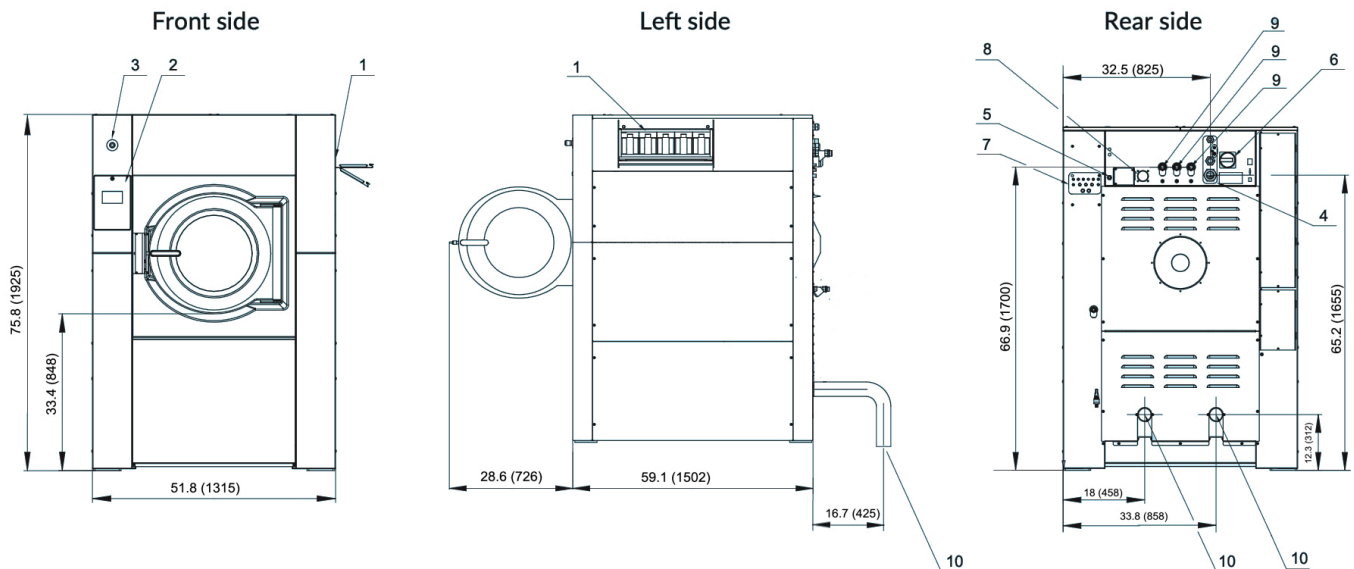
800-236-5599 | [www.wash.com/on-premise](http://www.wash.com/on-premise)

# Softmount Washer-Extractor

## Specifications

PYT100	
Control Option	X Control FLEX
Capacity - lb (kg)	100 (45)
Overall Width - in (mm)	51.8 (1315)
Overall Depth - in (mm)	59.1 (1502)
Overall Height - in (mm)	75.8 (1925)
Cylinder Diameter - in (mm)	36 (914)
Cylinder Depth - in (mm)	27.2 (691)
Cylinder Volume - cu. ft (liters)	15.9 (452)
Door Opening Size - in (mm)	21.3 (540)
Door Bottom to Floor - in (mm)	33.4 (848)

Wash Speed - RPM	38
Extractor Speed - RPM	839
Extract G-Force	360
Water Inlet Connection - in (mm)	3 x 1.0 (25)
Steam Inlet Connection - in (mm)	0.75 (19)
Drain Diameter - in (mm)	2 x 3 (76)
Motor Power Consumption - HP (kW)	10.0 (7.5)
Voltage/Circuit Breaker - FLA*	208-240/50-60/3
Shipping Dimensions Approx. - in (mm)	Width 56.1 (1425) Depth 66.9 (1700) Height 83.7 (2125)
Net Weight - lb (kg)	2976 (1350)
Shipping Weight - lb (kg)	3285 (1490)
Agency Approvals	CSA



- 1. Soap hopper
- 2. Keyboard
- 3. Emergency stop
- 4. Electrical connection

- 5. Electrical connection to liquid soap
- 6. Main switch
- 7. Liquid soap pump connections

- 8. Air vent tub
- 9. Water connection
- 10. Drain valve

For the most accurate information, the installation guide should be used for all design and construction purposes. Due to continuous product improvements, design and specifications subject to change without notice. The quality management systems at Alliance Laundry Systems are registered to ISO 9001.

April 2026 Specifications

OPLS by WASH is manufactured by Alliance Laundry Systems LLC



800-236-5599 | [www.wash.com/on-premise](http://www.wash.com/on-premise)