



ON-PREMISE LAUNDRY SOLUTIONS

Softmount Washer-Extractor

PYN180

180 lb (82 kg)



FEATURES

- Freestanding, high speed spin up to 350G
- Patented Cascade Drum™
- Stainless steel top, front and side panels
- Stainless steel drum and tub
- Easy Soap™ - liquid soaps connection
- Large door opening for easy loading/unloading
- Large dual drain valves
- Ergonomic height of door enables easy access
- Soap hopper

XCONTROL+

- Fully programmable
- 20 preset programs, up to 99 in memory



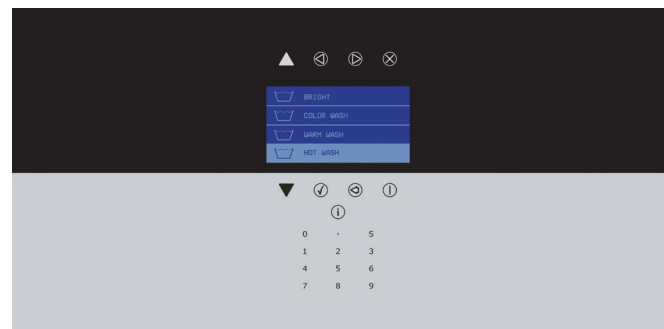
ERGONOMIC
CONSTRUCTION



LARGE DOOR
OPENING



LOW WATER
AND ENERGY
CONSUMPTION



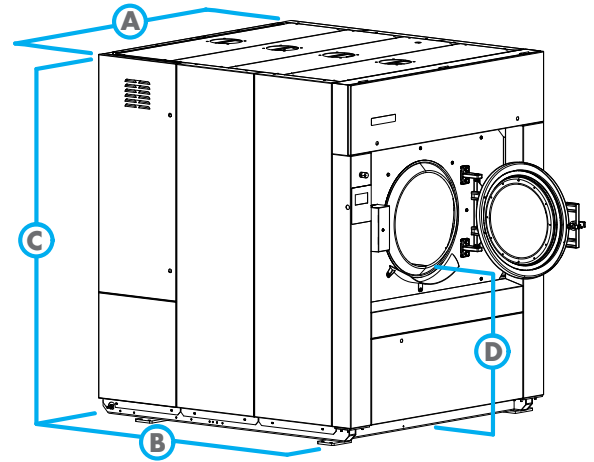
WASH
COMMERCIAL LAUNDRY

800-236-5599 | www.wash.com/on-premise

Softmount Washer-Extractor

Specifications

PYN180		
CONTROL OPTION		XControl+
CAPACITY - lb (kg)		180 (82)
DIMENSIONS - in (mm)	Width	58.86 (1495)
	Depth	76.38 (1940)
	Height	78.5 (1994)
NET WEIGHT- lb (kg)		5820 (2640)
CYLINDER DIAMETER - in (mm)		43.7 (1110)
CYLINDER DEPTH - in (mm)		33 (838)
CYLINDER VOLUME - cu. ft. (liters)		28.5 (807)
DOOR OPENING SIZE - in (mm)		20.86 (530)
DOOR BOTTOM TO FLOOR - in (mm)		33.15 (842)
WASH SPEED - RPM		36
EXTRACT SPEED - RPM		750
EXTRACT G-FORCE		350
WATER INLET CONNECTION - in (mm)		3 x 1.5 (38)
STEAM INLET CONNECTION - in (mm)		1 (25)
DRAIN CONNECTION - in (mm)		2 x 4 (102)
MOTOR POWER CONSUMPTION - hp (kw)		14.75 (11)
VOLTAGE/CIRCUIT BREAKER - FLA 208-240/60/3		40-30.2
SHIPPING DIMENSIONS APPROX. - in (mm)	Width	66.53 (1690)
	Depth	76.77 (1950)
	Height	86.61 (2200)
SHIPPING WEIGHT - lb (kg)		6239 (2830)
AGENCY APPROVALS		CSA



A. OVERALL WIDTH - in (mm)	58.86 (1495)
B. OVERALL DEPTH - in (mm)	76.38 (1940)
C. OVERALL HEIGHT - in (mm)	78.5 (1994)
D. DOOR BOTTOM TO FLOOR - in (mm)	13.74 (349)

For the most accurate information, the installation guide should be used for all design and construction purposes. Due to continuous product improvements, design and specifications subject to change without notice. The quality management systems at Alliance Laundry Systems are registered to ISO 9001.

April 2026 Specification

OPLS by WASH is manufactured by Alliance Laundry Systems LLC



800-236-5599 | www.wash.com/on-premise