

Stack Tumble Dryer

PTT55

2 x 55 lb (24 kg)



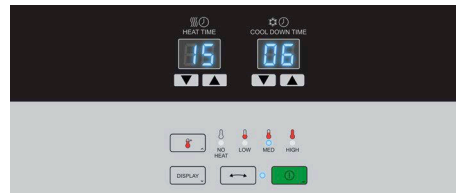
FEATURES

- Controls:
 - OPL Micro Control
 - Dual Digital Control
- Gas or Electric heating
- Large door opening for easy loading and unloading
- Galvanized drum
- Reversing drum
- Large lint filter
- Sensodry+ moisture sensing*
 - Alliance OPT (Over-dry Protection Technology)
 - Lower energy and utility costs
 - Lower linen replacement costs

* On OPL Micro Models



OPL Micro Control

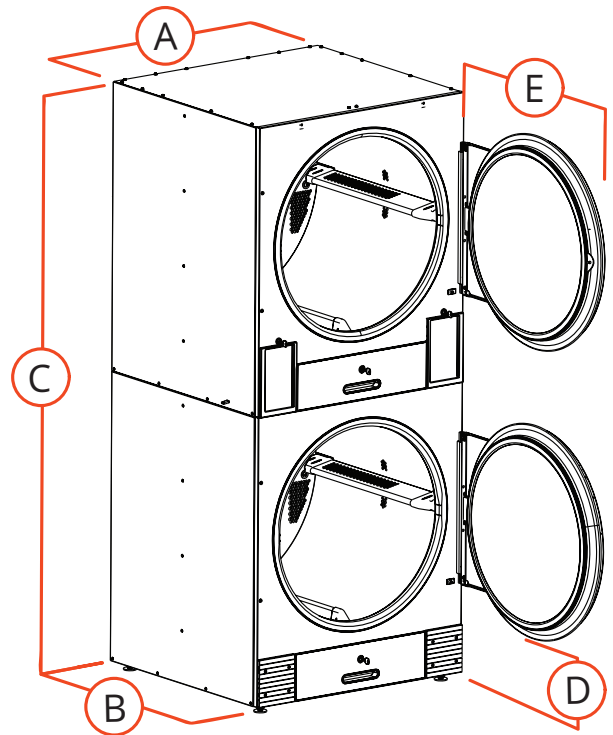


Dual Digital Control

Stack Tumble Dryer

Specifications

		PTT55	
Control Option		OPL Micro, Dual Digital	
Capacity - lb (kg)		55 (24) x 2	
Overall Width - in (mm)		34.5 (875)	
Overall Depth - in (mm)		54.4 (1382)	
Overall Height - in (mm)		80.9 (2055)	
Cylinder Diameter - in (mm)		33.0 (838)	
Cylinder Depth - in (mm)		35.0 (889)	
Cylinder Volume - cu. ft (liters)		17.3 (490)	
Reversing Cylinder		Standard	
Door Opening Size - in (mm)		26.9 (683)	
Heat Input Power Gas Models - Per Pocket		105,000 x 2 Btu/hr	
Gas Connections* - in (npt)		0.75	
Air Outlet - in (mm)		1 x 10 (250) Oval	
Motor - HP		Fan	2 x 1.5
		Cylinder	2 x 0.5
Airflow - cfm		2 x 600 (285)	
Electrical Specs - amps	Gas		
	X	200-240V/50/60/1/3	14
	N	440-480V/50/60/3	6
Shipping Dimensions Approx.- in (mm)		Width	35.5 (900)
		Depth	57.3 (1455)
		Height	85.6 (2175)
Net Weight - lb (kg)		737 (334)	
Shipping Weight - lb (kg)		782 (355)	
Agency Approvals		UL	



A.	Overall Width - in (mm)	34.5 (875)
B.	Overall Depth - in (mm)	54.4 (1382)
C.	Overall Height - in (mm)	80.9 (2055)
D.	Door Bottom to Floor - in (mm)	9.3 (235)
E.	Door Swing - in (mm)	31.9 (810)

Tumble dryer models are made to suit a variety of electrical service characteristics.

For further details on installation, refer to Installation, Operation and Maintenance instructions supplied with the tumble dryer. Amperage ratings available in Installation Manual.

For the most accurate information, the installation guide should be used for all design and construction purposes. Due to continuous product improvements, design and specifications subject to change without notice. The quality management systems at Alliance Laundry Systems are registered to ISO 9001.

April 2026 Specifications

OPLS by WASH equipment is manufactured by Alliance Laundry Systems LLC



800-236-5599 | www.wash.com/on-premise