

Single Tumble Dryer

PT170

170 lb (77 kg)



FEATURES

- OPL Micro Control
- Gas, Electric or Steam heating
- Large door opening for easy loading and unloading
- Galvanized drum
- Large lint filter
- Reversing drum

OPTIONS

- Sensodry+ moisture sensing
 - Alliance OPT (Over-dry Protection Technology)
 - Lower energy and utility costs
 - Lower linen replacement costs
- C.A.R.E. Fire Suppression System

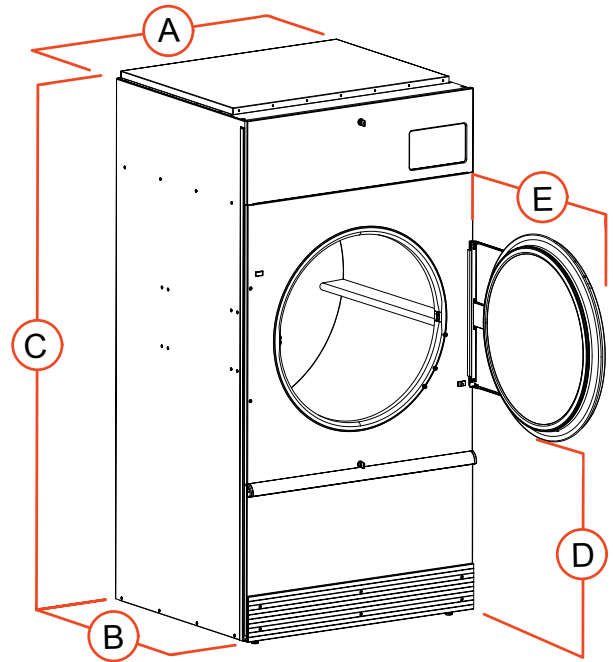


OPL Micro Control

Single Tumble Dryer

Specifications

		PT170	
Control Option		OPL Micro	
Capacity - lb (kg)		170 (77)	
Overall Width - in (mm)		52.9 (1345)	
Overall Depth - in (mm)		69.8 (1175)	
Overall Height - in (mm)		94 (2390)	
Cylinder Diameter - in (mm)		50.8 (1290)	
Cylinder Depth - in (mm)		42.5 (1080)	
Cylinder Volume - cu. ft (liters)		49.8 (1410)	
Door Opening Size - in (mm)		26.9 (683)	
Energy Data	Gas Models - Per Pocket	395,000 Btu/hr	
	Steam Models - Per Pocket	502,125 Btu/hr	
Gas Connections* - in (npt)		1	
Plumbing Connections - Steam - in (npt)	Inlet	0.75	
	Outlet	1	
Air Outlet - in (mm)		12 (305)	
Motor - HP	Fan	1.5	
	Cylinder	1.5	
Airflow - cfm		2150 (1010)	
Electrical Specs - amps	Gas & Steam		
	Q	200-240V/50/60/3	
	N	440-480V/50/60/3	6
Shipping Dimensions Approx.- in (mm)	Width	52.1 (1320)	
	Depth	73.8 (1870)	
	Height	99 (2510)	
Net Weight - lb (kg)	Gas	1400 (635)	
	Steam	1550 (705)	
Shipping Weight - lb (kg)	Gas	1480 (670)	
	Steam	1630 (740)	
Agency Approvals		CSA	



A.	Overall Width - in (mm)	52.9 (1345)
B.	Overall Depth - in (mm)	69.8 (1175)
C.	Overall Height - in (mm)	94 (2390)
D.	Door Bottom to Floor - in (mm)	33.9 (860)
E.	Door Swing - in (mm)	32.5 (825)

Tumble dryer models are made to suit a variety of electrical service characteristics.

For further details on installation, refer to Installation, Operation and Maintenance instructions supplied with the tumble dryer. Amperage ratings available in Installation Manual. For the most accurate information, the installation guide should be used for all design and construction purposes. Due to continuous product improvements, design and specifications subject to change without notice. The quality management systems at Alliance Laundry Systems are registered to ISO 9001.

April 2026 Specifications

OPLS by WASH equipment is manufactured by Alliance Laundry Systems LLC



800-236-5599 | www.wash.com/on-premise