



ON-PREMISE LAUNDRY SOLUTIONS

Single Tumble Dryer

PT120

120 lb (55 kg)

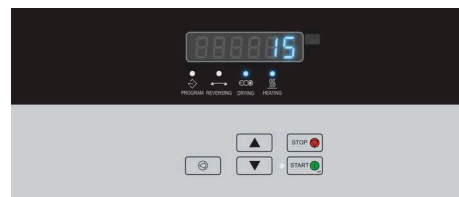


FEATURES

- OPL Micro Control
- Gas, Electric or Steam heating
- Large door opening for easy loading and unloading
- Galvanized drum
- Large lint filter
- Reversing drum

OPTIONS

- Sensodry+ moisture sensing
 - Alliance OPT (Over-dry Protection Technology)
 - Lower energy and utility costs
 - Lower linen replacement costs
- C.A.R.E. Fire Suppression System



OPL Micro Control

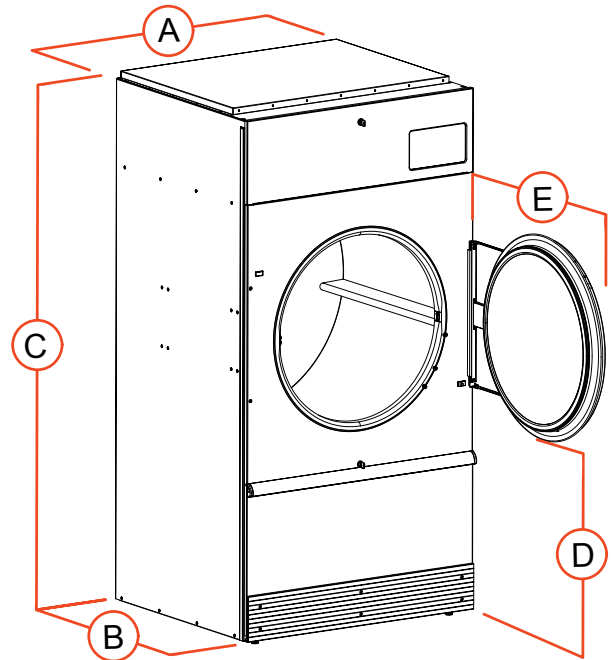


800-236-5599 | www.wash.com/on-premise

Single Tumble Dryer

Specifications

		PT120	
Control Option	OPL Micro		
Capacity - lb (kg)	120 (55)		
Overall Width - in (mm)	46.1 (1170)		
Overall Depth - in (mm)	67.9 (1725)		
Overall Height - in (mm)	85.7 (2175)		
Cylinder Diameter - in (mm)	44 (1120)		
Cylinder Depth - in (mm)	41 (1040)		
Cylinder Volume - cu. ft (liters)	36.1 (1020)		
Door Opening Size - in (mm)	26.9 (683)		
Energy Data	Gas Models - Per Pocket	270,000 Btu/hr	
	Steam Models - Per Pocket	334,750 Btu/hr	
	Electric Models	60kW	
Gas Connections* - in (npt)	1		
Plumbing Connections - Steam - in (npt)	0.75		
Air Outlet - in (mm)	10 (254)		
Motor - HP	Fan	1.5	
	Cylinder	1.5	
Airflow - cfm	1400 (660)		
Electrical Specs - amps	Gas & Steam		
	Q	200-240V/50/60/3	7
	N	440-480V/50/60/3	4
	Electric		
	G	230-240V/50/60/3	147
L	460-480V/50/60/3	75	
Shipping Dimensions Approx.- in (mm)	Width	48 (1220)	
	Depth	71.5 (1820)	
	Height	90 (2290)	
Net Weight - lb (kg)	Gas	1220 (555)	
	Electric	1250 (565)	
	Steam	1330 (605)	
Shipping Weight - lb (kg)	Gas	1290 (585)	
	Electric	1320 (600)	
	Steam	1400 (635)	
Agency Approvals	CSA		



A.	Overall Width - in (mm)	46.1 (1170)
B.	Overall Depth - in (mm)	67.9 (1725)
C.	Overall Height - in (mm)	85.7 (2175)
D.	Door Bottom to Floor - in (mm)	31.4 (800)
E.	Door Swing - in (mm)	32.5 (825)

Tumble dryer models are made to suit a variety of electrical service characteristics.

For further details on installation, refer to Installation, Operation and Maintenance instructions supplied with the tumble dryer. Amperage ratings available in Installation Manual. For the most accurate information, the installation guide should be used for all design and construction purposes. Due to continuous product improvements, design and specifications subject to change without notice. The quality management systems at Alliance Laundry Systems are registered to ISO 9001.

April 2026 Specifications

OPLS by WASH equipment is manufactured by Alliance Laundry Systems LLC



800-236-5599 | www.wash.com/on-premise