

Single Tumble Dryer

PT075

75 lb (34 kg)



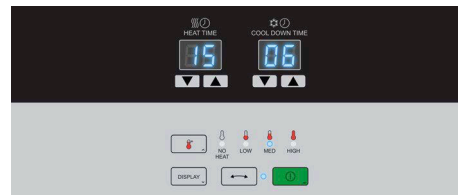
OPL Micro Control

FEATURES

- Controls:
 - OPL Micro Control
 - Dual Digital Control
- Gas, Electric or Steam heating
- Large door opening for easy loading and unloading
- Galvanized drum
- Large lint filter

OPTIONS

- Reversing drum
- Sensodry+ moisture sensing
 - Alliance OPT (Over-dry Protection Technology)
 - Lower energy and utility costs
 - Lower linen replacement costs
- C.A.R.E. Fire Suppression System

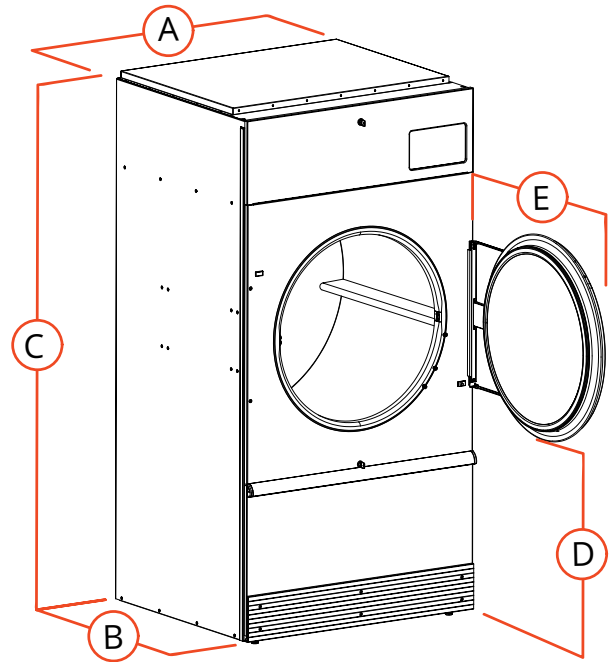


Dual Digital Control

Single Tumble Dryer

Specifications

		PT075	
Control Option	OPL Micro, Dual Digital		
Capacity - lb (kg)	75 (34)		
Overall Width - in (mm)	38.5 (980)		
Overall Depth - in (mm)	53.0 (1350)		
Overall Height - in (mm)	77.3 (1960)		
Cylinder Diameter - in (mm)	37.0 (940)		
Cylinder Depth - in (mm)	36.0 (914)		
Cylinder Volume - cu. ft (liters)	22.4 (634)		
Door Opening Size - in (mm)	26.9 (683)		
Heat Input Power	Gas Models - Per Pocket	165,000 Btu/hr	
	Steam Models - Per Pocket	153,985 Btu/hr	
	Electric Models	36kW	
Gas Connections* - in (npt)	0.5		
Plumbing Connections - Steam - in (npt)	0.75		
Air Outlet - in (mm)	8 (200)		
Motor - HP	Fan	0.5	
	Cylinder	0.5	
Airflow - cfm	800 (380)		
Electrical Specs - amps	Gas & Steam		
	B	100-120V/50/60/1	
	X	200-240V/50/60/1/3	
	N	440-480V/50/60/3	
	Electric		
	G	230-240V/50/60/3	
L	460-480V/50/60/3	45	
Shipping Dimensions Approx. - in (mm)	Width	41.5 (1054)	
	Depth	56.0 (1420)	
	Height	Gas & Electric - 81.0 (2060) Steam - 83.5 (2120)	
Net Weight - lb (kg)	Gas	715 (324)	
	Electric	730 (331)	
	Steam	740 (336)	
Shipping Weight - lb (kg)	Gas	760 (345)	
	Electric	780 (354)	
	Steam	800 (363)	
Agency Approvals	CSA		



A.	Overall Width - in (mm)	38.5 (980)
B.	Overall Depth - in (mm)	53.0 (1350)
C.	Overall Height - in (mm)	77.3 (1960)
D.	Door Bottom to Floor - in (mm)	29.2 (740)
E.	Door Swing - in (mm)	33.9 (860)

* LP gas available for 75 lb capacity only . Field conversion kits available for other capacities.

Tumble dryer models are made to suit a variety of electrical service characteristics.

For further details on installation, refer to Installation, Operation and Maintenance instructions supplied with the tumble dryer. Amperage ratings available in Installation Manual. For the most accurate information, the installation guide should be used for all design and construction purposes. Due to continuous product improvements, design and specifications subject to change without notice. The quality management systems at Alliance Laundry Systems are registered to ISO 9001.

April 2026 Specifications

OPLS by WASH equipment is manufactured by Alliance Laundry Systems LLC



800-236-5599 | www.wash.com/on-premise