



ON-PREMISE LAUNDRY SOLUTIONS

Single Tumble Dryer

PT055

55 lb (25 kg)



FEATURES

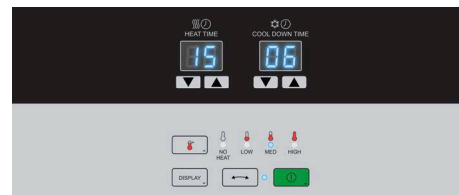
- Controls:
 - OPL Micro Control
 - Dual Digital Control
- Gas, Electric or Steam heating
- Large door opening for easy loading and unloading
- Galvanized drum
- Reversing drum
- Large lint filter

OPTIONS

- Sensodry+ moisture sensing
 - Alliance OPT (Over-dry Protection Technology)
 - Lower energy and utility costs
 - Lower linen replacement costs



OPL Micro Control



Dual Digital Control

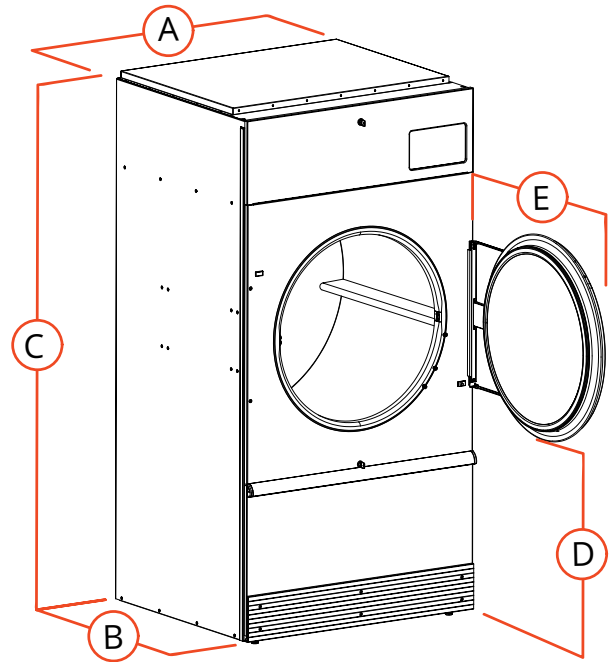


800-236-5599 | www.wash.com/on-premise

Single Tumble Dryer

Specifications

		PT055	
Control Option	OPL Micro Dual Digital		
Capacity - lb (kg)	55 (25)		
Overall Width - in (mm)	34.5 (876)		
Overall Depth - in (mm)	53.1 (1350)		
Overall Height - in (mm)	66.7 (1700)		
Cylinder Diameter - in (mm)	33.0 (838)		
Cylinder Depth - in (mm)	35.0 (889)		
Cylinder Volume - cu. ft (liters)	17.3 (490)		
Reversing Cylinder	Standard		
Door Opening Size - in (mm)	26.9 (683)		
Heat Input Power	Gas Models - Per Pocket	112,000 Btu/hr	
	Electric Models	27kW	
Gas Connections* - in (npt)	0.5		
Air Outlet - in (mm)	8 (200)		
Motor - HP	Fan	0.5	
	Cylinder	0.5	
Airflow - cfm	700 (330)		
Electrical Specs - amps	Gas & Steam		
	B	100-120V/50/60/1	12
	X	200-240V/50/60/1/3	7
	N	440-480V/50/60/3	3
	Electric		
G	230-240V/50/60/3	67	
L	460-480V/50/60/3	34	
Shipping Dimensions Approx.- in (mm)	Width	35.5 (900)	
	Depth	57.0 (1450)	
	Height	70.5 (1790)	
Net Weight - lb (kg)	Gas	438 (199)	
	Electric	426 (194)	
Shipping Weight - lb (kg)	Gas	478 (217)	
	Electric	466 (212)	
Agency Approvals	CSA		



A.	Overall Width - in (mm)	34.5 (876)
B.	Overall Depth - in (mm)	53.1 (1350)
C.	Overall Height - in (mm)	66.7 (1700)
D.	Door Bottom to Floor - in (mm)	26.9 (680)
E.	Door Swing - in (mm)	31.9 (810)

* LP gas available for 75 lb capacity only . Field conversion kits available for other capacities.

Tumble dryer models are made to suit a variety of electrical service characteristics.

For further details on installation, refer to Installation, Operation and Maintenance instructions supplied with the tumble dryer. Amperage ratings available in Installation Manual.

For the most accurate information, the installation guide should be used for all design and construction purposes. Due to continuous product improvements, design and specifications subject to change without notice. The quality management systems at Alliance Laundry Systems are registered to ISO 9001.

April 2026 Specifications

OPLS by WASH equipment is manufactured by Alliance Laundry Systems LLC



800-236-5599 | www.wash.com/on-premise