

Hardmount Washer-Extractor

PAN080

80 lb (36 kg)



FEATURES

- High speed spin up to 150G
- Patented Cascade Drum™
- Stainless steel top, front and side panels
- Stainless steel drum and tub
- Easy Soap™ - liquid soaps connection
- Large door opening for easy loading unloading
- Dual drain
- Soap hopper

XCONTROL+

- Fully programmable
- 20 preset programs, up to 99 in memory



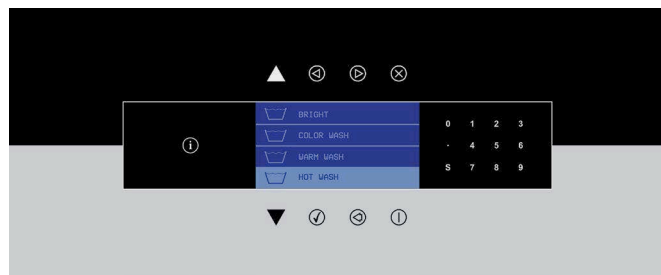
ERGONOMIC
CONSTRUCTION



LARGE DOOR
OPENING



LOW WATER
AND ENERGY
CONSUMPTION

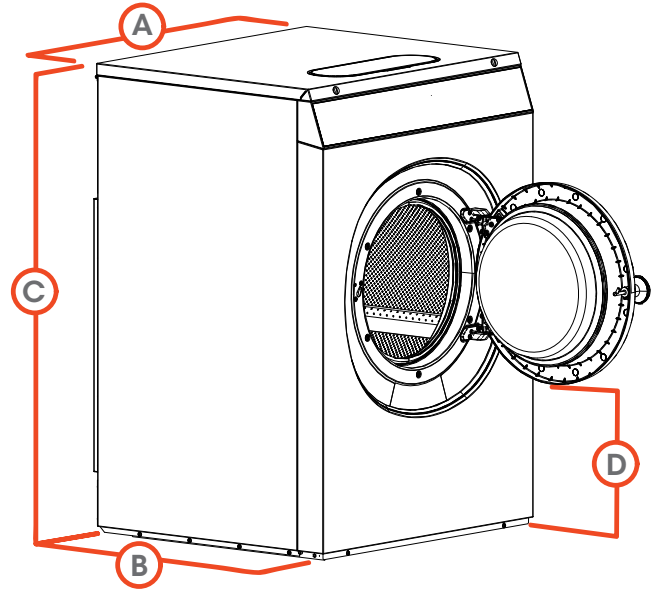


Hardmount Washer-Extractor

Specifications

		PAN070
CONTROL OPTION		X Control+
CAPACITY - lb (kg)		80 (36)
OVERALL WIDTH - in (mm)		41.73 (1060)
OVERALL DEPTH - in (mm)		40.55 (1030)
OVERALL HEIGHT - in (mm)		59.05 (1500)
CYLINDER DIAMETER - in (mm)		35.98 (914)
CYLINDER VOLUME - cu. ft. (liters)		11.7 (331)
DOOR OPENING SIZE - in (mm)		19.84 (504)
DOOR BOTTOM TO FLOOR - in (mm)		19.84 (504)
WASH SPEED - RPM		38
EXTRACT SPEED - RPM		540
EXTRACT G-FORCE		150
STEAM HEATING - psi		15-116
SOUND PRESSURE LEVEL - dB (A)		< 65
WATER VALVE CONNECTION - NPT*		0.75"
WATER PRESSURE -psi		15-116
RECOMMENDED WATER PRESSURE - psi		44-73
WATER INLET (EACH) - g/min		17.44
DRAIN VALVE - in (mm)		3 (76)
FLOW AMOUNT W/ DRAIN VALVE - g/min		110
FLOOR TO DRAIN OUTLET CENTER - in (mm)		4.72 (120)
RIGHT SIDE TO DRAIN OUTLET CENTER - in (mm)		12.52 (318)
LEFT SIDE TO DRAIN OUTLET CENTER - in (mm)		10.27 (261)
STEAM VALVE CONNECTION - BSP		0.5"
VOLTAGE/CIRCUIT BREAKER - FLA 208-240/60/1		20-16
SHIPPING DIMENSIONS APPROX. - in (mm)	Width	43.31 (1100)
	Depth	43.31 (1100)
	Height	66.93 (1700)
NET WEIGHT - lb (kg)		904 (410)
SHIPPING WEIGHT - lb (kg)		1147 (520)
AGENCY APPROVALS		CSA

*Fill hoses provided to convert BSP at machine to NPT supply connection.



A.	Overall Width - in (mm)	41.73 (1060)
B.	Overall Depth - in (mm)	40.55 (1030)
C.	Overall Height - in (mm)	59.05 (1500)
D.	Door Bottom to Floor - in (mm)	19.84 (504)

For the most accurate information, the installation guide should be used for all design and construction purposes. Due to continuous product improvements, design and specifications subject to change without notice. The quality management systems at Alliance Laundry Systems are registered to ISO 9001.

April 2026 Specifications

OPLS by WASH is manufactured by Alliance Laundry Systems LLC



800-236-5599 | www.wash.com/on-premise