

OPLS™

by *WASH*

ON-PREMISE LAUNDRY SOLUTIONS

Hardmount Washer-Extractor

PAN070

70 lb (31 kg)



FEATURES

- High speed spin up to 200G
- Patented Cascade Drum™
- Stainless steel top, front and side panels
- Stainless steel drum and tub
- Easy Soap™ - liquid soaps connection
- Large door opening for easy loading/unloading
- Soap hopper

XCONTROL+

- Fully programmable
- 20 preset programs, up to 99 in memory



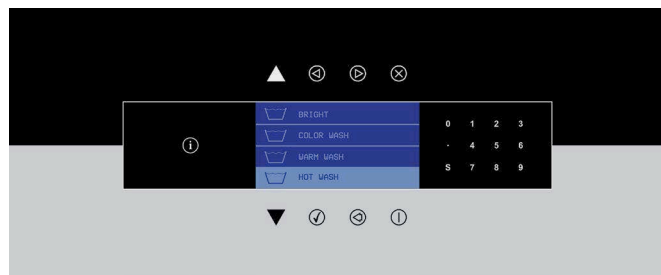
ERGONOMIC
CONSTRUCTION



LARGE DOOR
OPENING



LOW WATER
AND ENERGY
CONSUMPTION



WASH
COMMERCIAL LAUNDRY

800-236-5599 | www.wash.com/on-premise

Hardmount Washer-Extractor

Specifications

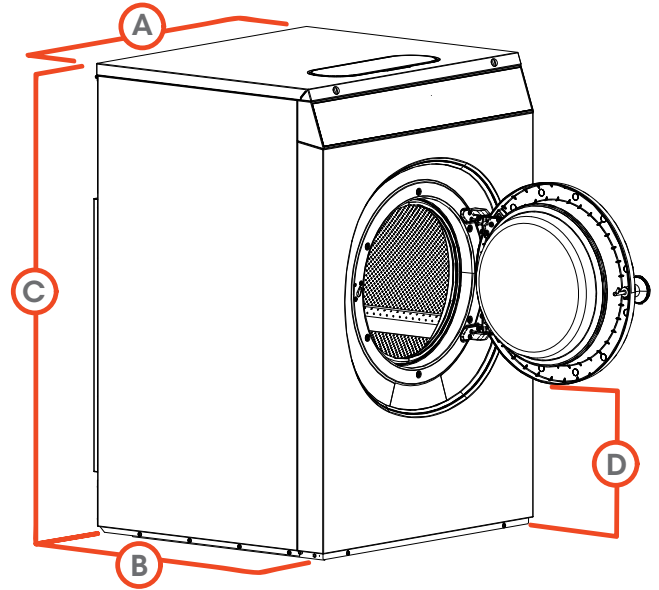
		PAN070
CONTROL OPTION		X Control+
CAPACITY - lb (kg)		70 (31)
OVERALL WIDTH - in (mm)		35.03 (890)
OVERALL DEPTH - in (mm)		44.68 (1135)
OVERALL HEIGHT - in (mm)		55.51 (1410)
CYLINDER DIAMETER - in (mm)		29.53 (750)
CYLINDER VOLUME - cu. ft. (liters)		9.9 (280)
DOOR OPENING SIZE - in (mm)		18.11 (460)
DOOR BOTTOM TO FLOOR - in (mm)		18.31 (465)
WASH SPEED - RPM		42
EXTRACT SPEED - RPM		690
EXTRACT G-FORCE		200
STEAM HEATING - psi		15-116
SOUND PRESSURE LEVEL - dB (A)		< 65
WATER VALVE CONNECTION - NPT*		0.75"
WATER PRESSURE -psi		15-116
RECOMMENDED WATER PRESSURE - psi		44-73
WATER INLET (EACH) - g/min		5.28
DRAIN VALVE - in (mm)		3 (76)
FLOW AMOUNT W/ DRAIN VALVE - g/min		55.48
FLOOR TO DRAIN OUTLET CENTER - in (mm)		5.12 (130)
SIDE TO DRAIN OUTLET CENTER - in (mm)		11.02 (280)
STEAM VALVE CONNECTION - BSP		0.5"
VOLTAGE/CIRCUIT BREAKER - FLA	208-240/60/1	15-9.9
SHIPPING DIMENSIONS APPROX. - in (mm)	Width	36.42 (925)
	Depth	46.85 (1190)
	Height	61.02 (1550)
NET WEIGHT - lb (kg)		783 (355)
SHIPPING WEIGHT - lb (kg)		849 (385)
AGENCY APPROVALS		CSA

*Fill hoses provided to convert BSP at machine to NPT supply connection.

For the most accurate information, the installation guide should be used for all design and construction purposes. Due to continuous product improvements, design and specifications subject to change without notice. The quality management systems at Alliance Laundry Systems are registered to ISO 9001.

April 2026 Specifications

OPLS by WASH is manufactured by Alliance Laundry Systems LLC



A.	Overall Width - in (mm)	35.03 (890)
B.	Overall Depth - in (mm)	44.68 (1135)
C.	Overall Height - in (mm)	55.51 (1410)
D.	Door Bottom to Floor - in (mm)	18.31 (465)



800-236-5599 | www.wash.com/on-premise