

OPLS™

by **WASH**

ON-PREMISE LAUNDRY SOLUTIONS

Hardmount Washer-Extractor

PAN030

30 lb (14 kg)



FEATURES

- High speed spin up to 200G
- Patented Cascade Drum™
- Stainless steel top, front and side panels
- Stainless steel drum and tub
- Easy Soap™ - liquid soaps connection
- Large door opening for easy loading/unloading
- Soap hopper

XCONTROL+

- Fully programmable
- 20 preset programs, up to 99 in memory



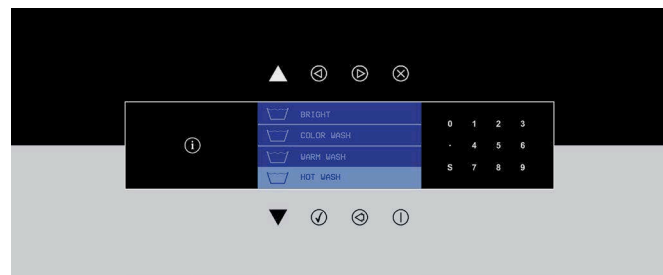
ERGONOMIC
CONSTRUCTION



LARGE DOOR
OPENING



LOW WATER
AND ENERGY
CONSUMPTION



WASH
COMMERCIAL LAUNDRY

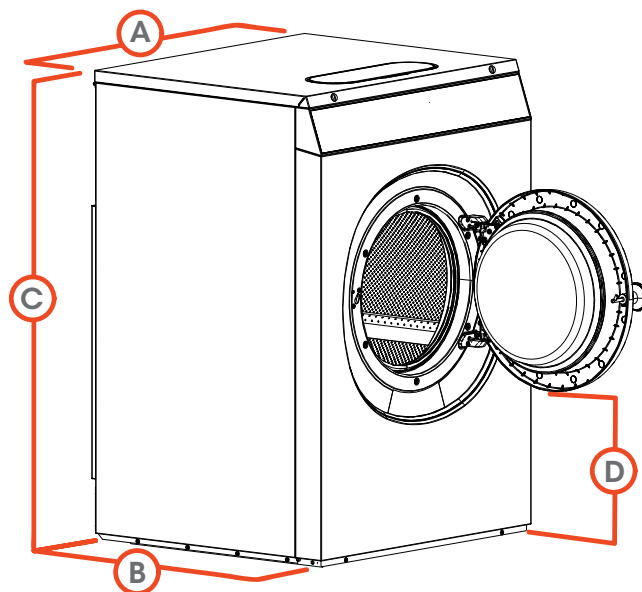
800-236-5599 | www.wash.com/on-premise

Hardmount Washer-Extractor

Specifications

PAN030	
CONTROL OPTION	XControl+
CAPACITY - lb (kg)	30 (14)
OVERALL WIDTH - in (mm)	29.53 (750)
OVERALL DEPTH - in (mm)	35.43 (900)
OVERALL HEIGHT - in (mm)	48.22 (1225)
CYLINDER DIAMETER - in (mm)	24.4 (620)
CYLINDER VOLUME - cu. ft. (liters)	4.8 (136)
DOOR OPENING SIZE - in (mm)	16.14 (410)
DOOR BOTTOM TO FLOOR - in (mm)	13.46 (342)
WASH SPEED - RPM	46
EXTRACT SPEED - RPM	760
EXTRACT G-FORCE	200
STEAM HEATING - psi	15-116
SOUND PRESSURE LEVEL - dB (A)	< 65
WATER VALVE CONNECTION - NPT*	0.75"
WATER PRESSURE -psi	15-116
RECOMMENDED WATER PRESSURE - psi	44-73
WATER INLET (EACH) - g/min	5.28
DRAIN VALVE - in (mm)	3 (76)
FLOW AMOUNT W/ DRAIN VALVE - g/min	55.48
FLOOR TO DRAIN OUTLET CENTER - in (mm)	3.95 (100)
SIDE TO DRAIN OUTLET CENTER - in (mm)	8.85 (225)
STEAM VALVE CONNECTION - BSP	0.5"
VOLTAGE/CIRCUIT BREAKER - FLA 208-240/60/1	10-7.2
SHIPPING DIMENSIONS APPROX. - in (mm)	
Width	31.5 (800)
Depth	37.4 (950)
Height	53.35 (1355)
NET WEIGHT - lb (kg)	419 (190)
SHIPPING WEIGHT - lb (kg)	441 (200)
AGENCY APPROVALS	CSA

*Fill hoses provided to convert BSP at machine to NPT supply connection.



A.	Overall Width - in (mm)	29.53 (750)
B.	Overall Depth - in (mm)	35.43 (900)
C.	Overall Height - in (mm)	48.22 (1225)
D.	Door Bottom to Floor - in (mm)	13.46 (342)

For the most accurate information, the installation guide should be used for all design and construction purposes. Due to continuous product improvements, design and specifications subject to change without notice. The quality management systems at Alliance Laundry Systems are registered to ISO 9001.

April 2026 Specifications

OPLS by WASH is manufactured by Alliance Laundry Systems LLC

WASH
COMMERCIAL LAUNDRY

800-236-5599 | www.wash.com/on-premise