

# LG COMMERCIAL LAUNDRY FRONT LOAD WASHER

## Built for More, Built for Speed

- Professional Grade Durability
- Best in Class performance
- Comprehensive 3year Warranty



### PREMIUM POWDER COATING

Our powder coated finish creates the same durability as it does when painting a car. It is sure to last long and provide an easy to clean exterior.



### ATOMIZING & TWIN SPRAY

Twin Spray rinses your clothes non-stop while spinning, resulting in a speedier wash and higher customer rotation rate. Atomizing Spray also sprays water on the door, so you don't have to clean excess suds off the door glass.



### INVERTER DIRECT DRIVE™

Unlike the traditional belt and pulley system, the LG commercial laundry drum is directly attached to the motor providing superior durability and reliability. Fewer parts equals fewer repairs.



### 10° TILTED DRUM

LG's commercial washer tub is tilted 10°. It enables the washer to have higher water level compared to competitors. This allows us to use less water while not sacrificing superior wash performance.



### GYRO BALANCING SYSTEM

LG's Gyro Balancing Sensor precisely detects the tub movement to activate the most proper algorithm for washing cycle, ensuring it finishes within 36 mins.



### AUTO DOSING SYSTEM

Simple to connect automatic detergent/chemical injection system.

\*Autodosing Pump (Purchase Separately)



# TITAN MAX WASHER SPECIFICATIONS

MODEL	TCWM2013**	
-------	------------	--

CYLINDER		
Drum Volume	cu.ft (ℓ)	5.2 (147)
Diameter	in. (mm)	24 (610.8)
Depth	in. (mm)	20.4 (518.1)

DIMENSIONS		
Product (WxHxD)	in	29 x 40.8 x 32
	mm	737 x 1,036 x 814
With Door Open	in. (mm)	53 (1,370)
Carton (WxHxD)	in	31 x 44.3 x 33.3
	mm	788 x 1,125 x 846
Weight (Product/Carton)	lb (kg)	221.8 (100.6) / 248 (112.5)

SPEED		
Wash	RPM	46
Extract (High Speed)	RPM	1,000
G-force	G	342

RATING		
Electric Ratings	V/Hz/A	120/60/5

*CONSUMPTION INDEX <sup>1)</sup>		
Water	gal (ℓ)	16.5 (62.5)
Electricity	kWh/hour	0.5

NOISE & CYCLE TIME		
Noise Level (Sound Power)	dB	Lower than 60
Program Duration in Minutes (Default)	min	36

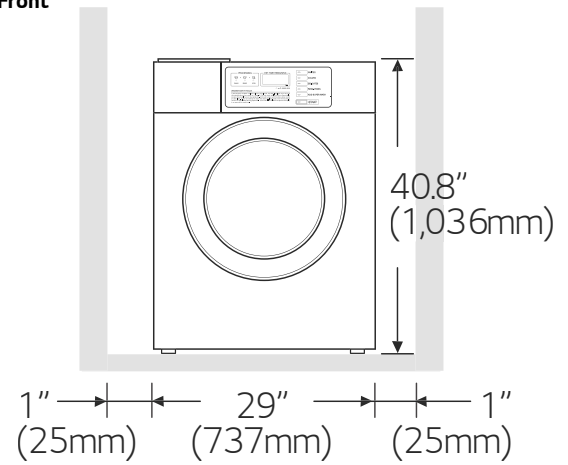
SYSTEM & CONTROL		
Inverter Direct Drive Motor		O
Heating Element	W	120V 1,000 (Only for Tub Clean)
Drain System		BLDC
Emergency Stop Button		O (OPL Only)
Inlet Valve		DC
Auto Dosing Interface		O
Gyro Sensor		O
Damper		4 Friction Dampers

PROGRAMS		
Program List		Hot*
		Warm*
		Cold*
		Delicates*
		Add Super Wash (Card & Coin)/ 20 Custom PGM (OPL)

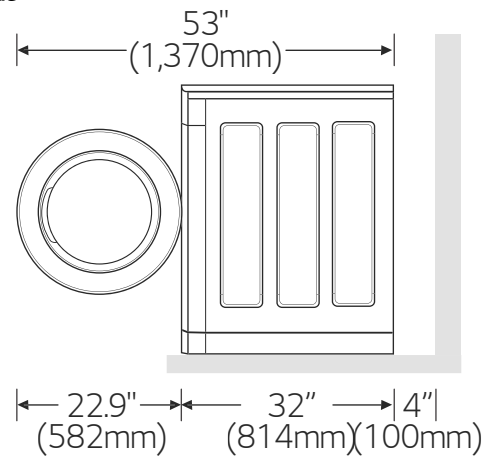
EXTERNAL FINISH		
Drum		Stainless Steel

CIRCUIT PROTECTION		
PCB Fuse - Main Control Board	amps	12 (220-240V)
PCB Fuse- Filter Assembly	amps	15

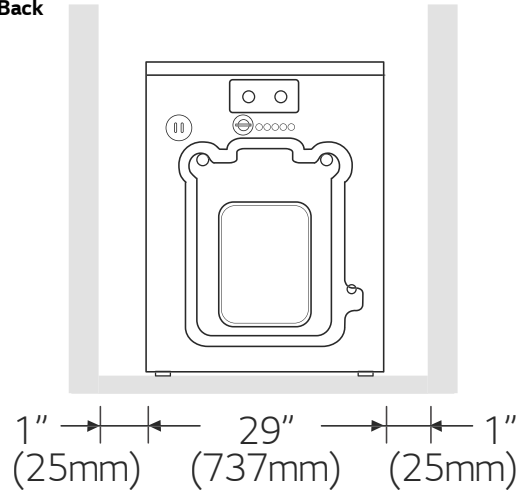
Front



Side



Back



## PRODUCT IMAGE

